

LOKPRESS $\rightarrow\leftarrow$

THE LOKRING ASSEMBLY TOOL



LOKPRESS – THE LOKRING ASSEMBLY TOOL

FAST. POWERFUL. COMPACT.

The axial pressing tool LOKPRESS is setting new standards in pressing technology.

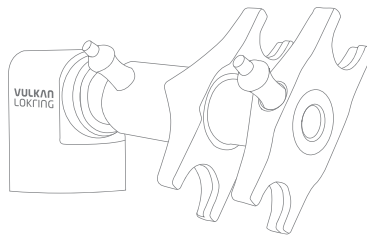
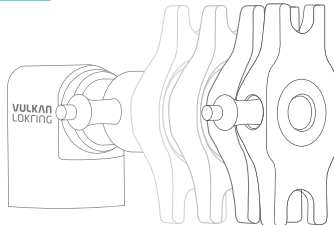
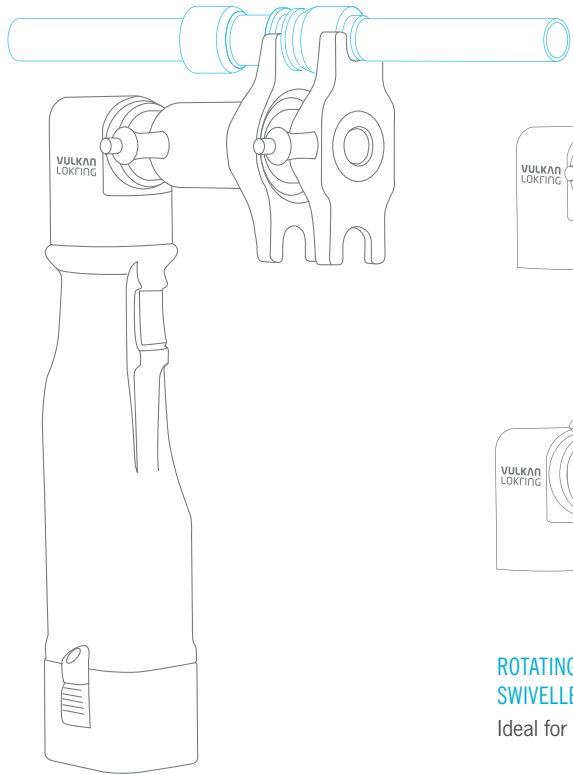
The compact and powerful assembly tool makes the safe and fast installation of LOKRING tube connections of the 50-series possible for refrigeration and air-conditioning technology.

The steplessly rotatable assembly head and low weight of only 2.4 kg (including rechargeable battery) guarantees one-handed operation and assembly in awkward

installation positions. Modern high-performance rechargeable batteries ensure lots of connections can be made without interruption. When the diameter of the tubes to be connected changes, the assembly jaws are simply turned round or replaced in seconds.

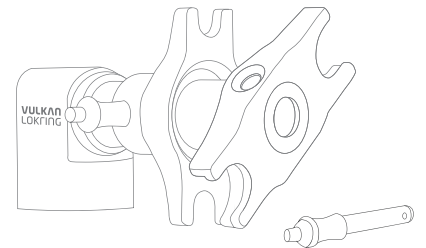
This makes »lokringing« much more convenient, significantly faster and thus increases your performance!





**ASSEMBLY PROCESS
TAKES ONLY 5 SECONDS**

Assembly processes saves time and costs. A special hydraulics valve and an electric monitoring system guarantee safe assembly and top-quality work.



**ROTATING HEAD CAN BE
SWIVELLED THROUGH 360°**

Ideal for areas that are difficult to access.

**FLEXIBLE
REPLACEMENT OF THE ASSEMBLY JAWS**

Prevents delays in the working process.

**HIGH-PERFORMANCE
RECHARGEABLE BATTERY**
INTERRUPTION-FREE
WORKING PROCESS

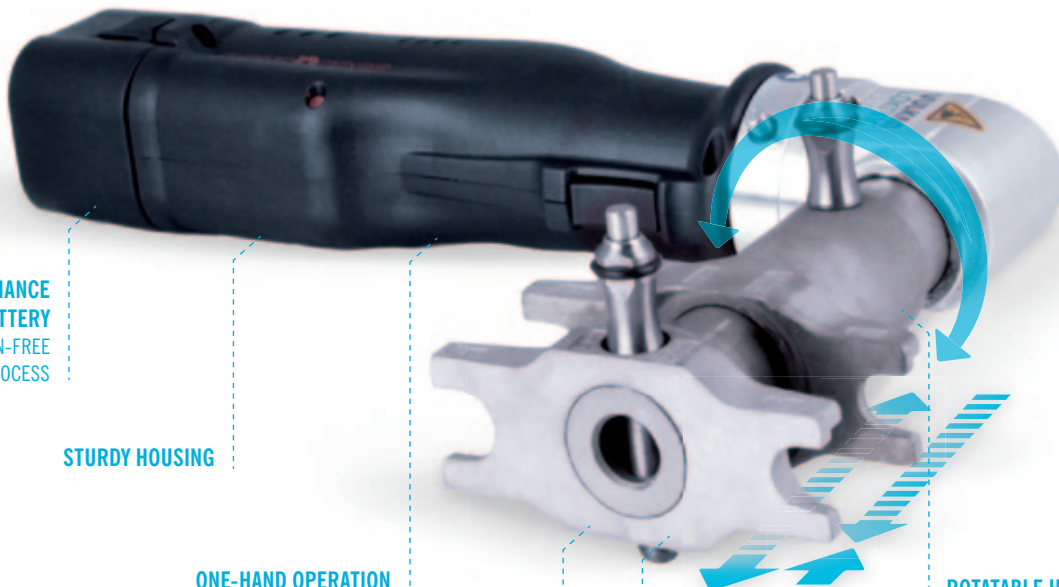
STURDY HOUSING

ONE-HAND OPERATION
LOW WEIGHT
(2.4 kg inc. battery)

HIGH PRESSING FORCE
UP TO MAX. 23 KN

1 ASSEMBLY JAW = 2 SIZES
MINIMUM EFFORT REQUIRED
TO CHANGE TOOL

ROTATABLE HEAD
EASY WORK IN CRAMPED
INSTALLATION SITUATIONS



Head Office:

VULKAN LOKRING Rohrverbindungen GmbH & Co. KG | Heerstraße 66 | 44653 Herne | Germany

Phone + 49 (0) 2325 922-304 | Fax + 49 (0) 2325 51222 | Mail info.lok@vulkan.com

LOKTOOL: LOKPRESS AC 12V | Cordless assembly tool



LOKTOOL LOKPRESS AC 12V

The powerful handy cordless assembly tool enables the fast and safe processing of LOKRING tube connections (50-series) with a diameter of 12 to 35 mm.

A special hydraulics valve and an electronic monitoring system guarantee safe assembly and top-quality work. There is one NiMH rechargeable battery available for the power supply, as well as an optional mains adapter for connection to the mains supply.

Features

- ⊕ High pressing force (up to max. 23 kN)
- ⊕ One-handed operation – low weight
- ⊕ Rotatable head – easy work in any position

Scope of supply

- ⊕ Cordless assembly tool with rechargeable battery
- ⊕ 3 pairs of assembly jaws 12/16 mm, 19/22 mm, 28/35 mm
- ⊕ Quick-charger
- ⊕ Plastic case

Article no.	Article name	Description
L14003952	LOKtool LOKPRESS AC 12V	Cordless assembly tool case set
L14004023	LOKtool LOKPRESS NA (optional)	Mains adapter
L14004026	LOKtool LOKPRESS EA (optional)	Spare rechargeable battery

Technical data

Dimensions tool (L x B x H)	322 x 66 x 195 mm
Dimensions plastic case (L x B x H)	500 x 120 x 460 mm
Working temperature	-20°C to 60°C
Electric power	240 W
Pressing force	23 kN
Voltage supply	9,6 V / 3,0 Ah NiMh
Recharge time	approx. 45 min.
Weight	2,4 kg

Mains adapter

Voltage range	230 V +/- 10% (207 V - 253 V)
Output current	0 - 30 A
Weight	750 g